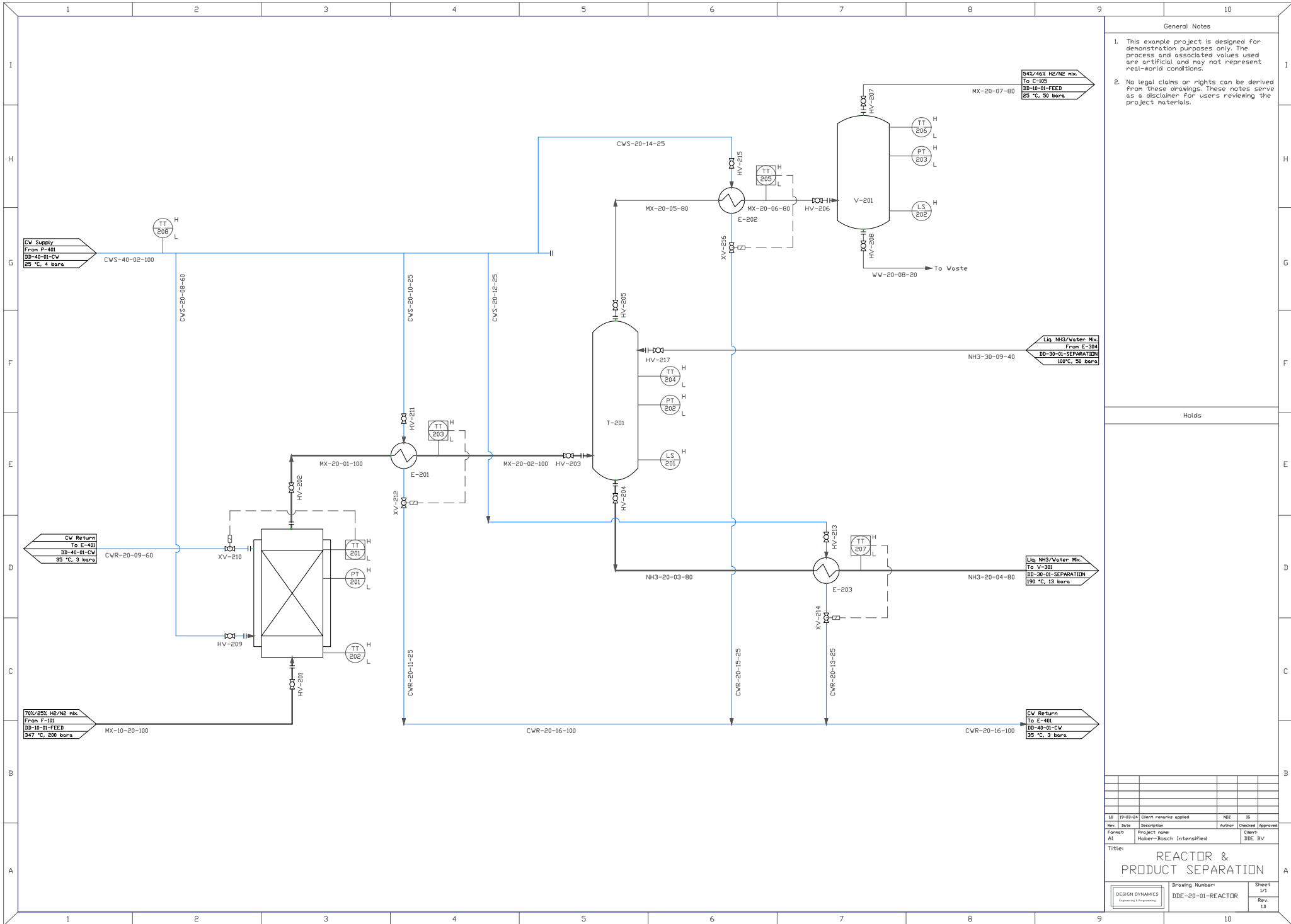


- General Notes
1. This example project is designed for demonstration purposes only. The process and associated values used are artificial and may not represent real-world conditions.
  2. No legal claims or rights can be derived from these drawings. These notes serve as a disclaimer for users reviewing the project materials.

Holds

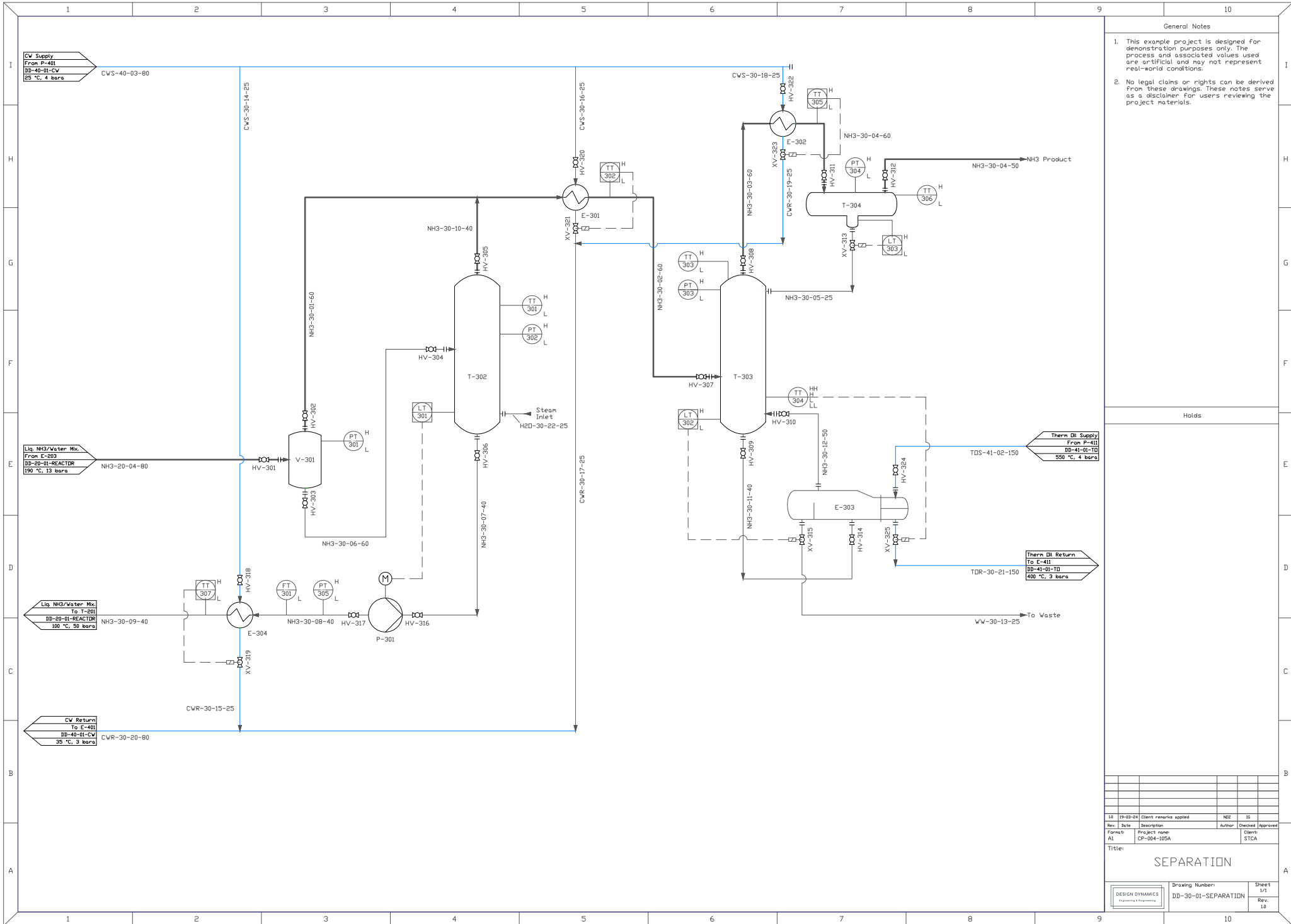
Rev.	Date	Description	Author	Checked	Approved
10	19-03-24	Client remarks applied	NZ	IG	
Formst:	AI	Project name:	Haber-Bosch Intensified	Client:	DDE BV
Title: <b>FEED PREPARATION</b>					
Drawing Number: <b>DD-10-01-FEED</b>			Sheet: <b>1/1</b>		Rev: <b>10</b>



- General Notes
1. This example project is designed for demonstration purposes only. The process and associated values used are artificial and may not represent real-world conditions.
  2. No legal claims or rights can be derived from these drawings. These notes serve as a disclaimer for users reviewing the project materials.

Holds

10	19-03-24	Client remarks applied	ND	IG	Approved
Rev.	Date	Description	Author	Checked	Approved
Format:	AI	Project name:	Haber-Bosch Intensified	Client:	DDE BV
Title: REACTOR & PRODUCT SEPARATION					
Drawing Number: DDE-20-01-REACTOR				Sheet:	1/1
DESIGN DYNAMICS Engineering & Programming				Rev.:	1.0



General Notes

1. This example project is designed for demonstration purposes only. The process and associated values used are artificial and may not represent real-world conditions.
2. No legal claims or rights can be derived from these drawings. These notes serve as a disclaimer for users reviewing the project materials.

Holds

Therm Oil Supply  
From P-411  
DD-41-01-TD  
550 °C, 4 bars

Therm Oil Return  
To E-411  
DD-41-01-TD  
400 °C, 3 bars

Rev.	Date	Description	Author	Checked	Approved
10	19-03-24	Client remarks applied	NSJ	IS	

Format: AI  
Project name: CR-004-105A  
Client: STCA

Title: SEPARATION

Drawing Number: DD-30-01-SEPARATION  
Sheet: 1/1  
Rev: 10

